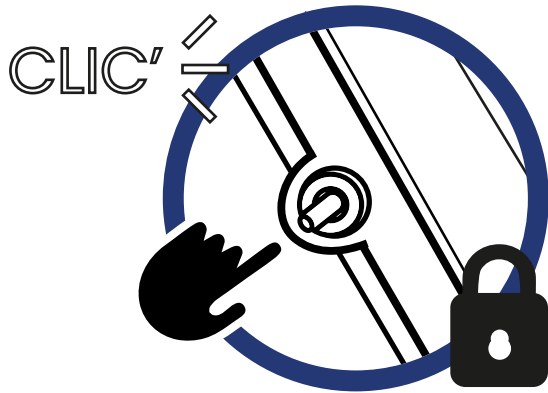
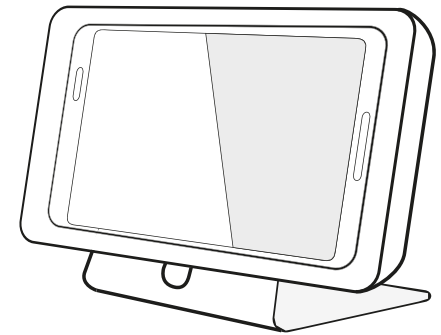


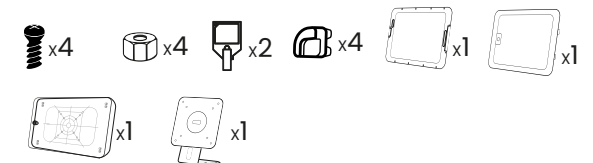
ASSEMBLY INSTRUCTIONS



Required Equipment :



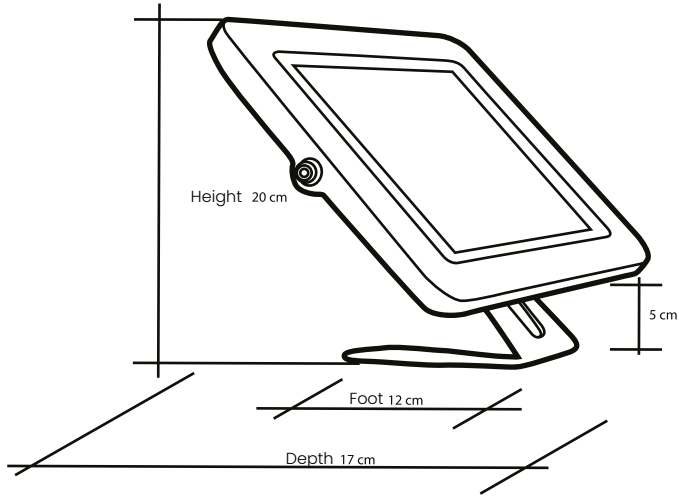
Provided pieces :



Dimensions :



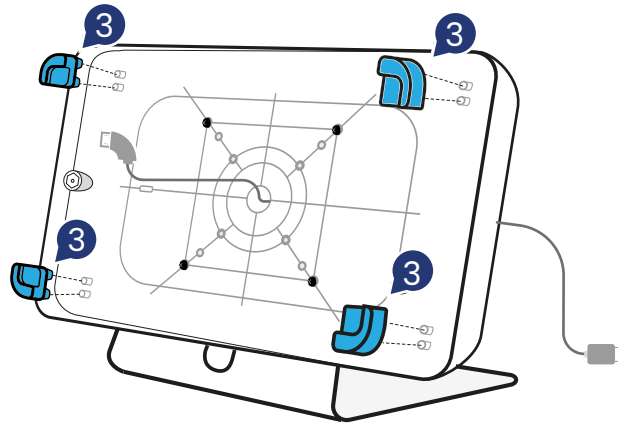
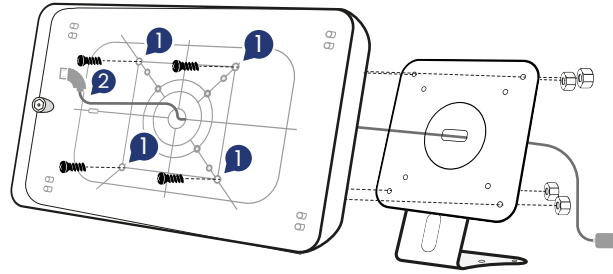
DIMENSIONS MAY VARY DEPENDING ON THE CASE SIZE AND SELECTED OPTIONS



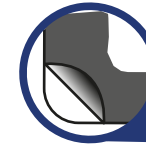
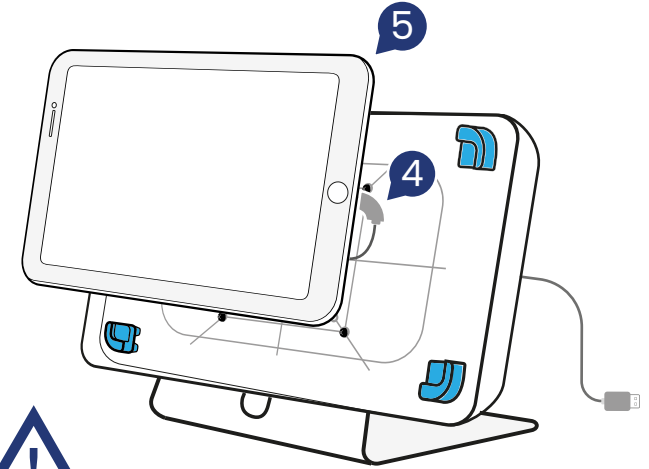
Step 1



Before the assembly, please pass the USB cable into the tube



Step 2



Remove protection before use

